

Peak Home Care Bed - King Single

Product Code: 9346376014373

Features:

- Fully featured home care style electric bed
- Durable powder coated frame
- Aesthetically pleasing fabric surround available in 3 colours
- Australian Standards compliant
- Simple 10 button backlit handset
- Linak Motor system
- Mattress retainers
- 8 castors (4 lockable)
- Full range of accessories available
 - Clamp on bed stick
 - Headboard
 - Footboard
 - High side grab rail
 - Low side grab rail
 - Self help pole
 - IV pole
 - Fold down side rails

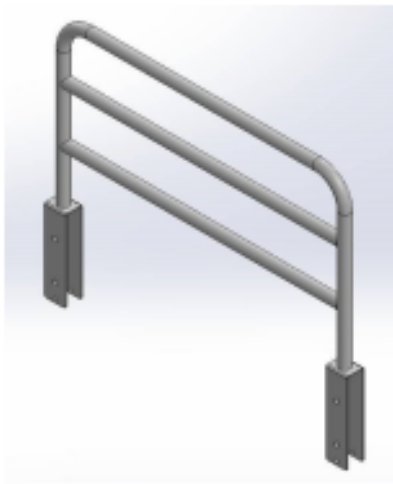


Product Specifications:

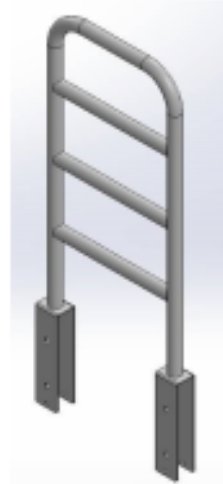
Max bed height	73cm
Min bed height	26cm
Length	213cm
Width	117cm
Trendelenburg & Rev	-15° to +15°
Maximum Patient Weight	180kg
Product Weight	94kg
Recommended mattress length	203cm
Recommended mattress width	107cm
Backrest adjustment	0 to 70°
Knee-break adjustment	0 to 35°



Aesthetically pleasing fabric surround available in 3 colours



Low side grab rail
9346376014519



High side grab rail
9346376014502



Clamp on bed stick
9346376014496



Fold down side rail
9346376014540

Head/Footboard & Surrounds Codes:

DESCRIPTION	ITEM CODE
Peak Home Care Bed - KS - Headboard (SJ5002)	9346376014403
Peak Home Care Bed - KS - Footboard (SJ5002)	9346376014410
Peak Home Care Bed - KS - Surround Kit (SJ5002)	9346376014465
Peak Home Care Bed - KS - Headboard (SJ5204)	9346376014427
Peak Home Care Bed - KS - Footboard (SJ5204)	9346376014434
Peak Home Care Bed - KS - Surround Kit (SJ5204)	9346376014472
Peak Home Care Bed - KS - Headboard (SJ5001)	9346376014441
Peak Home Care Bed - KS - Footboard (SJ5001)	9346376014458
Peak Home Care Bed - KS - Surround Kit (SJ5001)	9346376014489

NOTE: Surround kit includes 2 x long and 2 x short sides in your colour choice

Accessories:

DESCRIPTION	ITEM CODE
Peak Home Care Bed - Clamp on bed stick	9346376014496
Peak Home Care Bed - High side grab rail	9346376014502
Peak Home Care Bed - Low side grab rail	9346376014519
Peak Home Care Bed - Self help pole	9346376011822
Peak Home Care Bed - IV pole	9346376014533
Peak Home Care Bed - Fold down side rail	9346376014540

NOTE: Pricing is available on the Peak Care website.



Self help pole
9346376011822



Peak Home Care Bed - Long Single

Product Code: 9346376014311

Features:

- Fully featured home care style electric bed
- Durable powder coated frame
- Aesthetically pleasing fabric surround available in 3 colours
- Australian Standards compliant
- Simple 10 button backlit handset
- Linak Motor system
- Mattress retainers
- 8 castors (4 lockable)
- Full range of accessories available
 - Clamp on bed stick
 - Headboard
 - Footboard
 - High side grab rail
 - Low side grab rail
 - Self help pole
 - IV pole
 - Fold down side rails

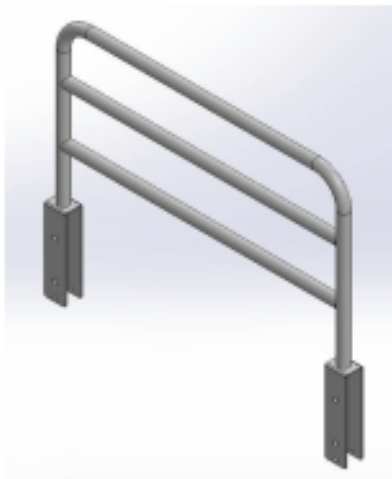


Product Specifications:

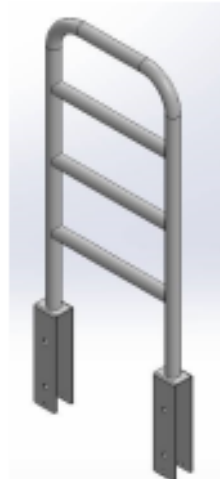
Max bed height	73cm
Min bed height	26cm
Length	213cm
Width	97cm
Trendelenburg & Rev	-15° to +15°
Maximum Patient Weight	180kg
Product weight	94kg
Recommended mattress length	203cm
Recommended mattress width	90cm
Backrest adjustment	0 to 70°
Knee-break adjustment	0 to 35°



Aesthetically pleasing fabric surround available in 3 colours



Low side grab rail
9346376014519



High side grab rail
9346376014502



Clamp on bed stick
9346376014496



Fold down side rail
9346376014540

Head/Footboard & Surrounds Codes:

DESCRIPTION	ITEM CODE
Peak Home Care Bed - LS - Headboard (SJ5002)	9346376014571
Peak Home Care Bed - LS - Footboard (SJ5002)	9346376014588
Peak Home Care Bed - LS - Surround Kit (SJ5002)	9346376014595
Peak Home Care Bed - LS - Headboard (SJ5204)	9346376014601
Peak Home Care Bed - LS - Footboard (SJ5204)	9346376014618
Peak Home Care Bed - LS - Surround Kit (SJ5204)	9346376014625
Peak Home Care Bed - LS - Headboard (SJ5001)	9346376014632
Peak Home Care Bed - LS - Footboard (SJ5001)	9346376014649
Peak Home Care Bed - LS - Surround Kit (SJ5001)	9346376014656

NOTE: Surround kit includes 2 x long and 2 x short sides in your colour choice

Accessories:

DESCRIPTION	ITEM CODE
Peak Home Care Bed - Clamp on bed stick	9346376014496
Peak Home Care Bed - High side grab rail	9346376014502
Peak Home Care Bed - Low side grab rail	9346376014519
Peak Home Care Bed - Self help pole	9346376011822
Peak Home Care Bed - IV pole	9346376014533
Peak Home Care Bed - Fold down side rail	9346376014540

NOTE: Pricing is available on the Peak Care Website.



Self help pole
9346376011822

